

FLAT ROOF RACKING SYSTEM

Benefits

- ❖ **Pre-assembled for easy installation**
D-module can be put into GD Rail from any position. So the parts can be pre-assembled in the factory to save your install time on site.
- ❖ **Various Solution to the different conditions**
GD Rail and its accessories can be installed with most of solar panels on the commercial and residential roof.
- ❖ **Safety and Reliability**
The racking systems can stand up extremely bad weather complying with the AS/NZS 1170 and other international structure load standards. The main support components have also been tested to guarantee its structure performance and load-carrying capacity.

Technical Information

Installation Site	Low profile roof or open field		
Tilt Angle	10deg ~ 60deg	Material	Aluminum & Stainless steel
Building Height	up to 20m	Color	Natural
Max Wind Speed	up to 60m/s	Anti-corrosive	Anodized
Snow Load	1.4KN/m ²	Warranty	10 years warranty
Standards	AS/NZS 1170 & DIN 1055 & Other	Duration	More than 20 years



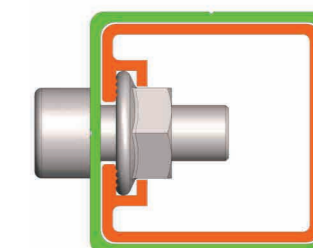
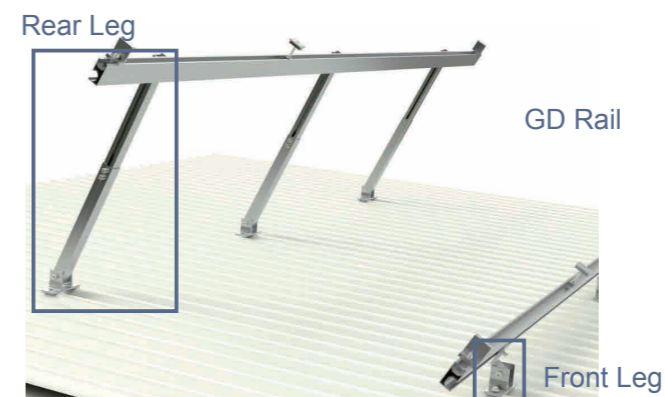
Adjustable System



NT Bracket
Fixed angle, suitable for portrait orientation

COMPONENTS

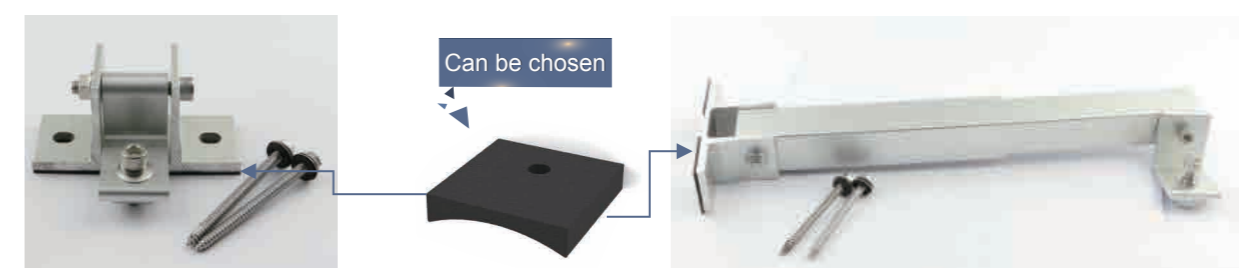
Adjustable Tilt System



Telescope Solution

Legs

- Feature**
- Main Material: Anodized Al6005-T5
 - Fasten Material: SUS A2-40
 - Wood Screw: 2pcs M6x80
 - Patent Telescope solution can adjust the angle
 - Anti-Slip and Anti-out design



GS-AD-FL-LD

GS-AD-RL_

Item No.	Description	Leg Length	Package
GS-AD-FL-LD	AD Front Leg	-----	50pcs/box, 4 boxes/CTN
GS-AD-RL10/15-LD	AD Rear Leg 10/15 deg	240~360mm	30pcs/CTN
GS-AD-RL15/30-LD	AD Rear Leg 15/30 deg	340~680mm	25pcs/CTN
GS-AD-RL30/60-LD	AD Rear Leg 30/60 deg	700~1200mm	25pcs/CTN III

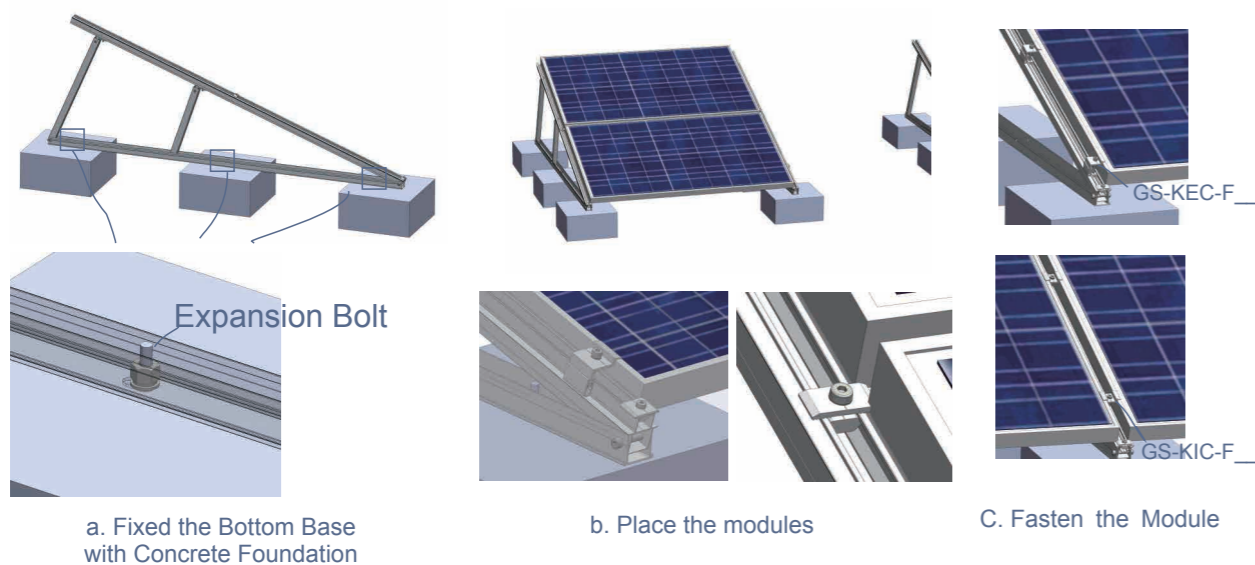
COMPONENTS

KNT Triangle Bracket

Suitable for landscape orientation



Installation Guide

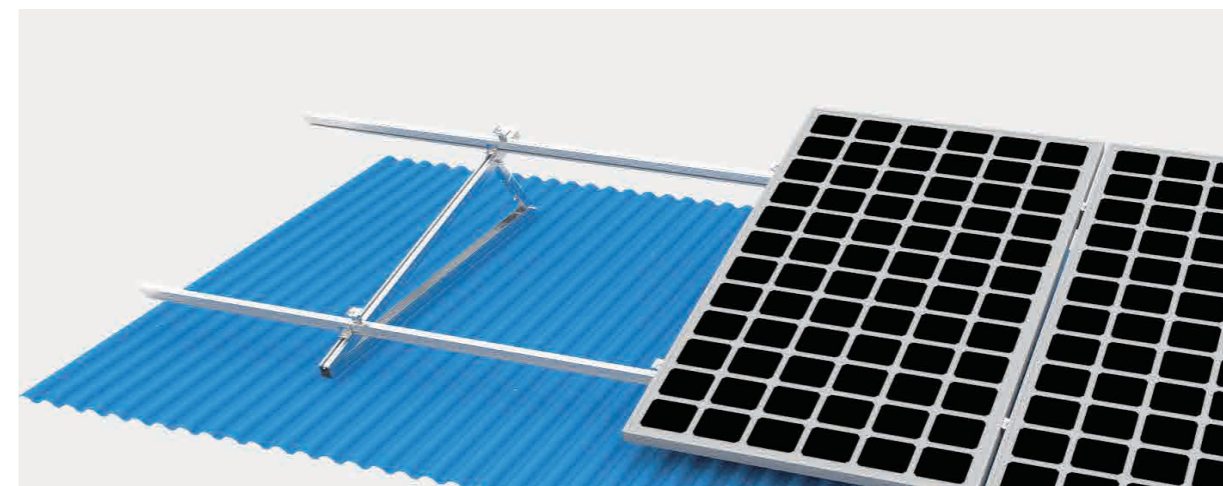


Item No.	Description	Placement	Angle
GS-KNT2000-10	KNT Bracket 2000-10deg	2x2, landscape	Fixed 10deg

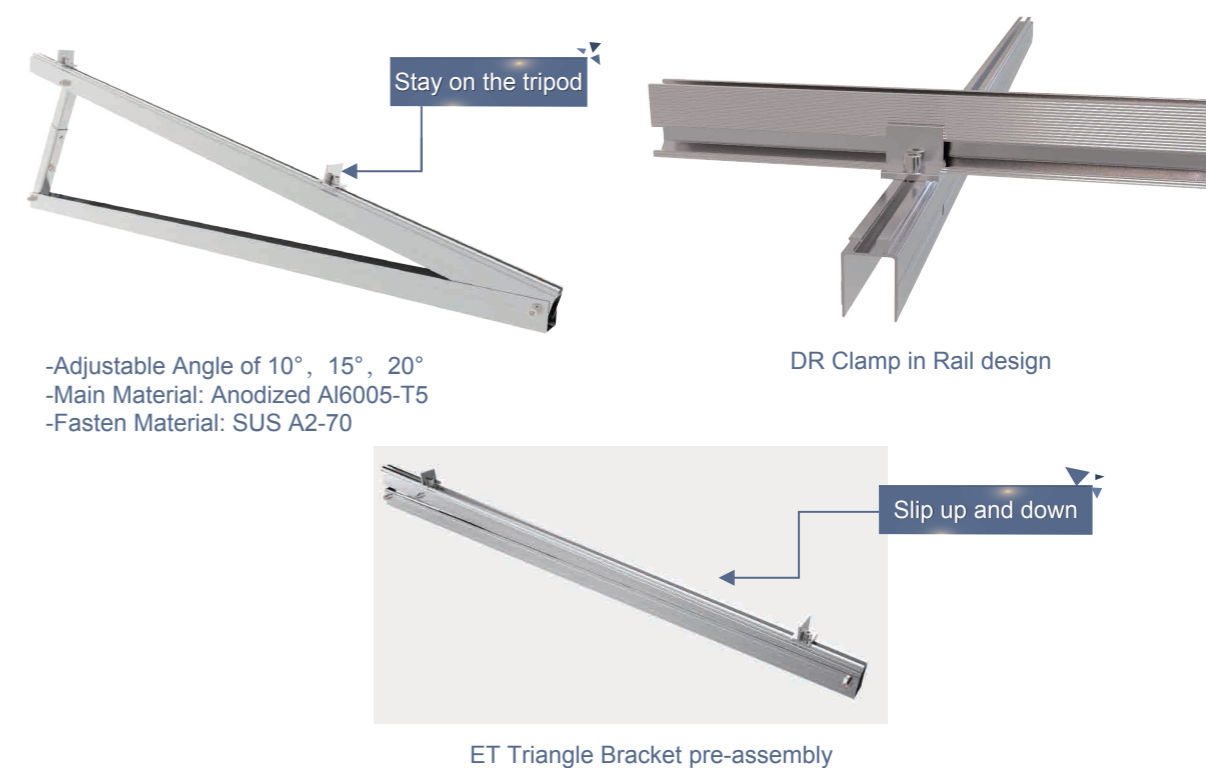
COMPONENTS

ET Triangle Bracket

An updated version of NT baracket
The angle is flexible and adjustable
Suitable for portrait orientation



Adjustable Angle

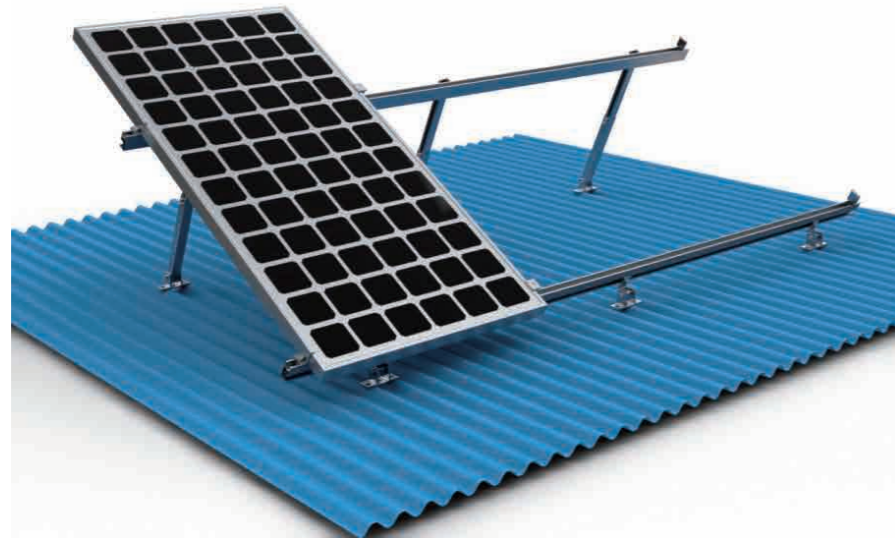


- Adjustable Angle of 10°, 15°, 20°
- Main Material: Anodized Al6005-T5
- Fasten Material: SUS A2-70

Item No.	Description	Adjustable Angle	Package
GS-ET02-10/20	AD ET Triangle Bracket 02	10-20deg	Package on request
GS-ET02-20/30	AD ET Triangle Bracket 02	20-30deg	Package on request
GS-RC-D	GD Rail Clamp	----	----

PROJECT EXAMPLE

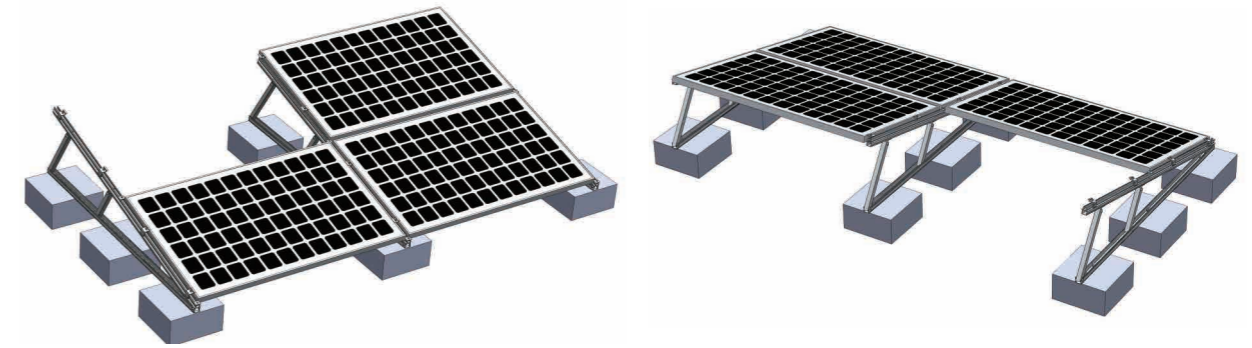
Adjustable Tilt System



Solar Panels Size 1650x992x40mm	Rail GS-DR-	Front Leg GS-AD-FL	Rear Leg GS-AD-RL_	Inter Clamp GS-IC-F40	End Clamp GS-EC-F40	Rail Splice GS-DR-SP
Adjustable 10/15 4Panels installation	4200mm 2 pcs	4	4	6	4	2
Adjustable 15/30 4Panels installation	4200mm 2 pcs	4	4	6	4	2
Adjustable 30/60 4Panels installation	4200mm 2 pcs	4	4	6	4	2

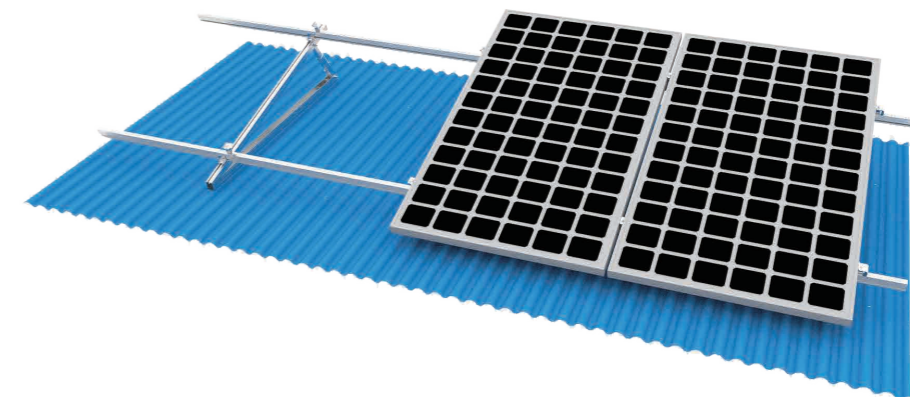
PROJECT EXAMPLE

KNT Triangle Bracket



Solar Panels Size 1650x992x40mm	Bracket GS-KNT2000-10	Inter Clamp GS-KIC-F35/40	End Clamp GS-KEC-F40
Angle:10deg Array: 2x2	3 pcs	4 pcs	8 pcs

ET Triangle Bracket



Solar Panels Size 1650x992x40mm	Rail GS-DR-4200	Bracket GS-ET02-10/20	Inter Clamp GS-IC-F40	End Clamp GS-EC-F40
Angle:10deg Array: 1x4	2 pcs	3 pcs	6 pcs	4 pcs

